

# Clicker for Perun V2

## Installation manual



Clicker is an accessory designed for use with Perun V2 Hybrid. It introduces a break to the trigger action, which needs to be overcome to fire a shot, somewhat similar to how a trigger in a real firearm works. Clicker is meant for realism enthusiasts, and everybody else, who wants a tactile feel on the trigger.

Reading this manual will help you fully exploit this product's potential and in case of encountering any problems, you can look for solutions to them here.

Manufacturer:

Perun

Barwicka 8 St.

60-192 Poznań, Poland

e-mail: [info@perunairsoft.pl](mailto:info@perunairsoft.pl)

### Table of contents

1.	Compatibility .....	2
2.	How does it work? .....	2
3.	Installation and adjustment.....	3

## 1. Compatibility

Clicker was positively tested with combinations of following gearbox shells and triggers.

Gearbox shells: A&K, Bolt, Classic Army, King Arms, KWA (2GX version), G&G, G&P, P&J, Retro Arms, Specna Arms, SRC, VFC. Krytac shell is compatible, but Clicker obstructs the bolt release mechanism. Clicker can be slightly modified (cut) to allow the bolt release to work. Some Cyma and DE gearboxes require grinding of the trigger lock area on the upper (right) half of the shell.

Triggers: A&K, Classic Army, G&P, Maxx, P&J, Retro Arms, SHS.

We cannot guarantee, that all products from these manufacturers will always work properly with the Clicker, because of changes made to the parts over time. This list also does not mean, that Clicker will not work with gearbox shells and triggers made by other manufacturers. We just did not have the chance to test it.

Clicker works with back and front wired versions of Perun V2 Hybrid. In front wired variant, wires can be channeled underneath it through a dedicated channel.

## 2. How does it work?

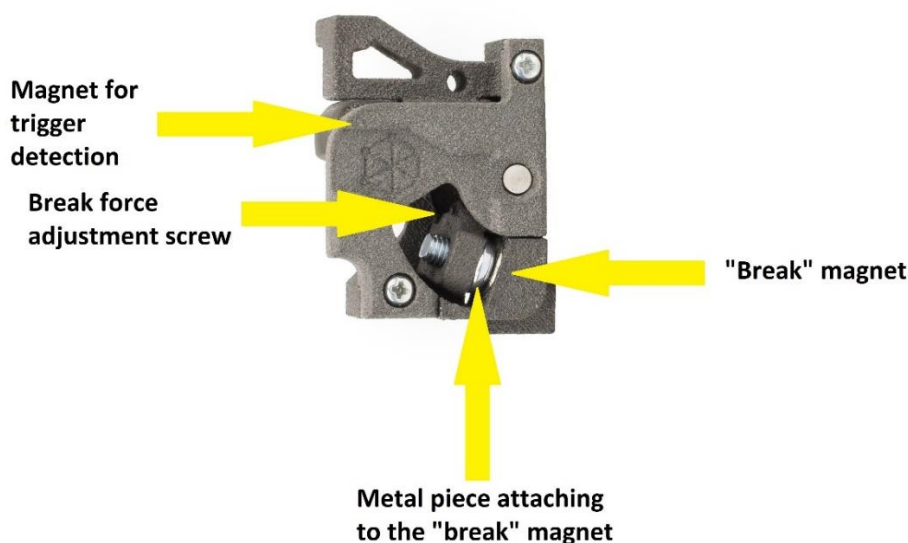
Clicker uses a magnet and a lever to simulate the "wall", a method which reduces possible wear on the parts. When the trigger is being pulled, it acts to detach a metal part from the magnet, which it is in contact with when at rest. Because the force of the magnetic field diminishes very fast with the distance, this results with a relatively crisp break. The force of the break is increased by a use of a lever.

Release of the trigger results with an audible reset, when the metal part gets very close to the magnet and instantly attaches to it.

The adjustment system works by increasing the initial distance between the metal part and the magnet, thus limiting the break force.

Clicker already has an another magnet needed by Perun V2 Hybrid to detect the trigger movement, so the original Hybrid magnet holder has to be removed.

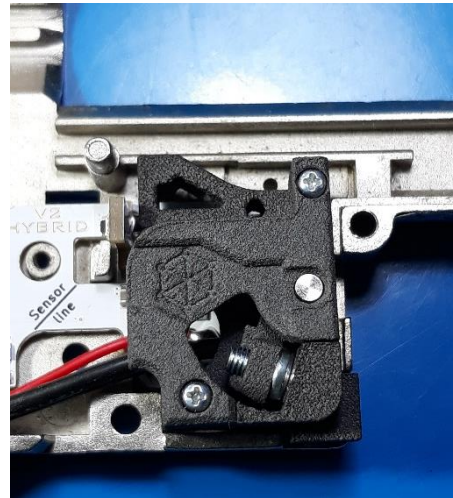
Clicker does not allow the mechanical trigger safety lock to be retained.



### 3. Installation and adjustment

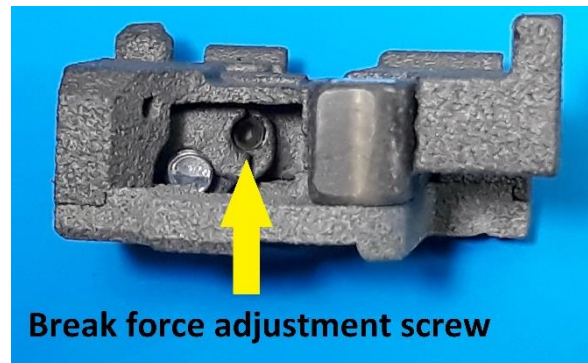
#### Installation

To install the Clicker, simply remove V2 Hybrid's magnet holder from the trigger, as well as the mechanical safety lock from the gearbox. Insert the Clicker as shown on the photo. There may be some resistance during the assembly of both gearbox halves, because Clicker has to remain absolutely still inside the shell to provide a pleasant trigger pull, therefore it was made to fill the gearbox space as tightly as possible.



#### Break force adjustment

Only at this point, with gearbox open, you can adjust the trigger break force. This is done by using a small hex screw inside the piece, in the lever. Turning the screw to the right reduces the break force, turning it to the left increases it. Clicker is delivered by default with the highest possible break force, and the adjustment screw completely retracted.



#### Pre-travel

Pre-travel is the low-resistance part of the trigger movement, before the wall is encountered. With most combinations of triggers (especially stock ones) and gearbox shells, there will be up to a couple of millimeters of pre-travel, which have to be taken up before the wall is faced. Until that point, during the take-up, the magnet responsible for triggering a shot will not be moving, so only overcoming the wall will result with a shot. Pre-travel is present in trigger actions of many real firearms.

If you want to limit or remove pre-travel, adjust the trigger by moving it forward so that it touches (but not pushes on!) the Clicker, when at rest. This can be done using screws in adjustable triggers, or by gluing material under the trigger stop near the trigger axle. It's not recommended to add material to the surface, which is directly in contact with the Clicker.

**⚠** *If the trigger will be putting pressure on the Clicker when at rest, the break force will be weaker!*

Use of the trigger spring is theoretically optional with the Clicker, but if a lot of pre-travel is present, the spring is necessary to keep the trigger from hanging loosely. When the break is adjusted to be softer, the trigger feel will be much nicer, if the pre-travel will be reduced to zero and trigger spring will be removed.

#### Perun V2 Hybrid's trigger sensitivity setting

Once the Clicker is installed in the gearbox, trigger sensitivity has to be set to level 5 for both selector positions, otherwise trigger pulls will not be registered. In some cases, especially if the trigger break adjustment screw was used to make the break force weaker, it might be required to change the sensitivity level to 4, otherwise shot will be fired before the wall was overcome.