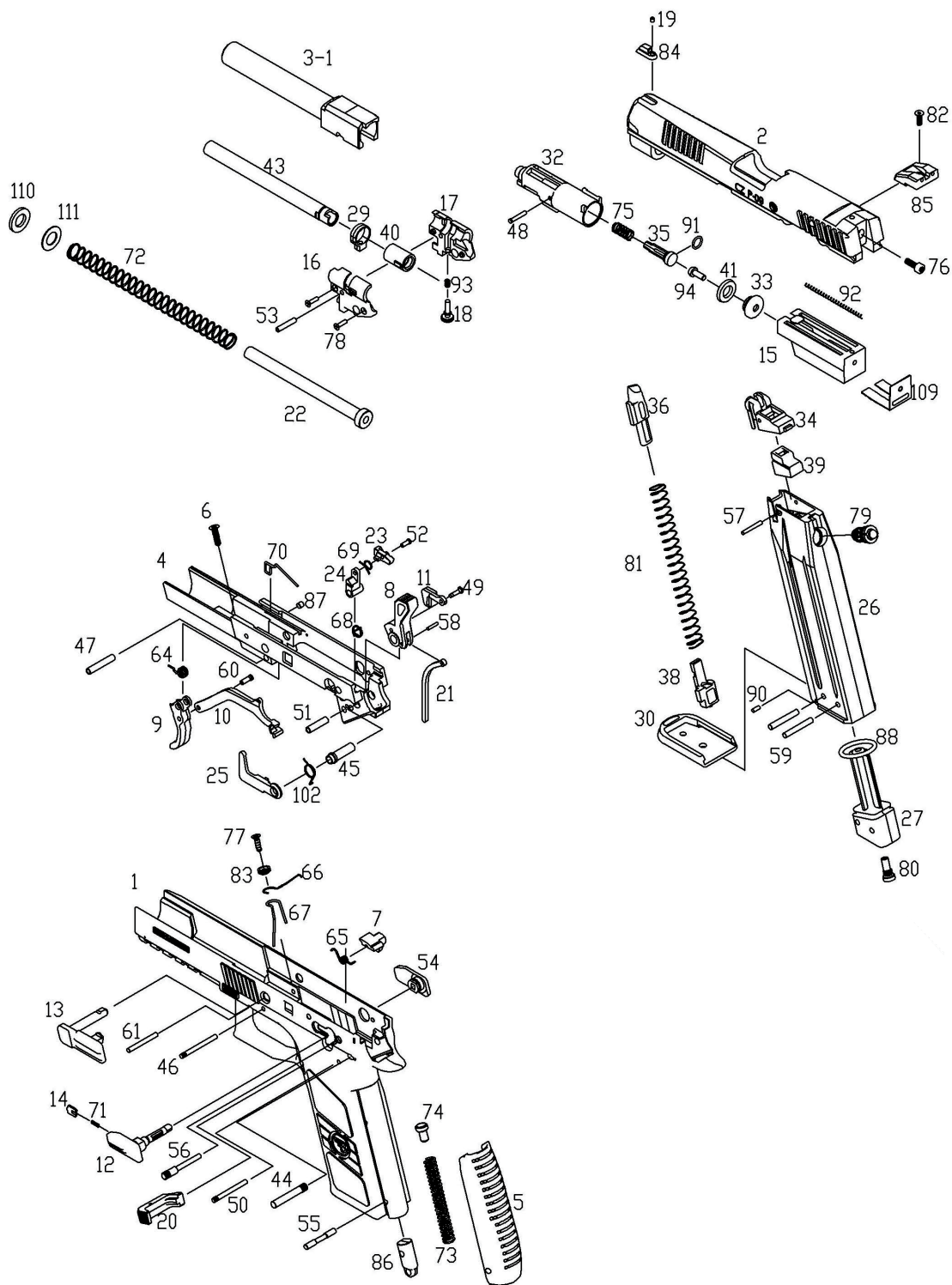


CZ P-09 Airsoft - 18116



NO.	NAME
1	FRAME
2	SLIDE
3-1	OUT BARREL
4	INNER FRAME
5	BACK STRAP
6	INNER FRAME SCREW
7	SEAR
8	HAMMER
9	TRIGGER
10	TRIGGER BAR
11	DISCONNECTOR
12	SAFETY LEFT
13	SLIDE STOP
14	SAFETY DETENT PLUNGER
15	PISTON BLOCK
16	BARREL CHAMBER (L)
17	BARREL CHAMBER (R)
18	TRAJECTORY ADJUST SCREW
19	FRONT SIGHT SCREW
20	MAGAZINE CATCH
21	MAIN SP STRUT
22	RECOIL SP GUIDE
23	VALVE HAMMER
24	VALVE KNOCKER
25	VALVE LOCK PLATE
26	MAG BODY (GAS)
27	MAG BASE (GAS)
28	MAG BODY (CO2)
29	TRAJECTORY ADJUST RING
30	MAGAZINE BOTTOM
32	CYLINDER
33	PISTON
34	MAG LIP
35	FLOATING VALVE
36	MAG FOLLOWER
38	MAG BOTTOM STOP (CO2)
39	MAG GASKET
40	RUBBER CHAMBER
41	PISTON RING
43	INNER BARREL
44	HAMMER PIN
45	HAMMER SLEEVE
46	TRIGGER PIN
47	TRIGGER SLEEVE
48	FLOATING VALVE PIN
49	DISCONNECTOR PIN
50	VALVE KNOCKER PIN
51	VALVE KNOCKER SLEEVE
52	VALVE HAMMER PIN
53	BARREL LOCKING PIN

NO.	NAME
54	SAFETY RIGHT
55	MAIN SP HOUSING PIN
56	SEAR PIN
57	MAG LIP PIN
58	MAIN SP STRUT PIN
59	MAG BOTTOM PIN
60	TRIGGER BAR PIN
61	INNER FRAME PIN
62	MAG STAB (CO2)
63	MAG BASE NUT (CO2)
64	TRIGGER SP
65	SEAR SP
66	TRIGGER BAR SP
67	MAG CATCH SP
68	VALVE KNOCKER SP
69	VALVE LOCK SP
70	SLIDE STOP SP
71	SAFETY SP
72	RECOIL SP
73	MAIN SP
74	MAIN SP CAP
75	FLOATING VALVE
76	PISTON BLOCK SCREW
77	MAG CATCH SP SCREW
78	BARREL CHAMBER SCREW
79	EX VALVE
80	FILLING VALVE
81	FOLLOWER SP
82	REAR SIGHT SCREW
83	MAG CATCH SP WASHER
84	FRONT SIGHT
85	REAR SIGHT
86	MAIN SP PLUG
87	SLIDE STOP SP SCREW
88	MAG BOTTOM O-RING
89	CO2 EX VALVE
90	CO2 MAG BOTTOM STOP SCREW
91	FLOATING VALVE O-RING
92	CYLINDER SP
93	TRAJECTORY ADJUST SCREW
94	PISTON SCREW
102	VALVE LOCK SP
109	PISTON BLOCK PLATE
110	RECOIL BUFFER
111	RECOIL BUFFER WASHER